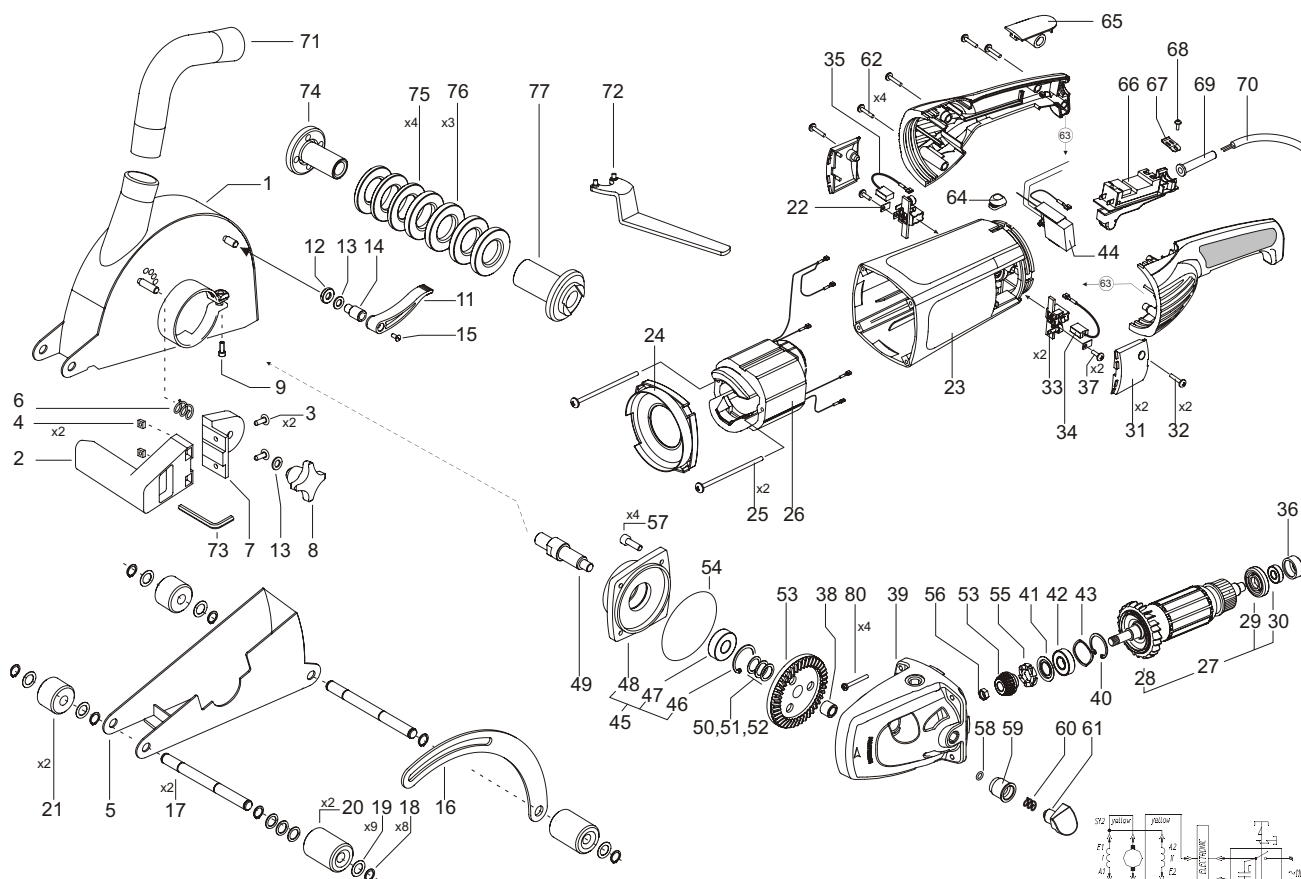


POS. No.	Ref.No.	Description	POS. No.	Ref.No.	Description
1	152428	Guard	40	330732	Circlip A35-1D
2	130992	Handle	41	330126	Dust protector/NILOS-ring 6202
3	360761	Screw M5X14	42	330943	Bearing 6202 2RSL P63 LDS18SpA
4	360086	Nut M5	43	117268	Spring washer
5	152423	Base plate	44	153869	Electronic block /110V/
6	127312	Spring	45	152125	Bearing bed
7	127226	Plate	46	330473	Circlip A40-1D
8	127225	Special nut	47	330124	Bearing 6203-2RS
9	360076	Screw M8x25	48	151611	Bearing bed
11	118964	Lever	49	152097	Spindle
12	127230	Padding washer	51	117504	Spacer washer
13	360054	Washer M8	52	117505	Spacer washer
14	127221	Special nut	53	117509	Gear set
15	360672	Screw M4x10	54	330352	O-ring 80X2B
16	127213	Plate	55	113540	Oil - churning bush
17	127214	Axle	56	113256	Nut
18	330483	Circlip B12	57	360246	Screw M5x16
19	115958	Spacer washer	58	330342	O-ring 6X2B
20	154325	Roller L 50	59	154663	Bush
21	154326	Roller L 28	60	117277	Spring
22	113244	Spiral spring	61	151613	Lock button
23	151649	Body	62	361328	Screw K4x18 TORX 20
24	151651	Diffuser	63	151656	Casing handle set
25	361433	Screw 3,9X80	64	151658	Rubber pad
26	153375	Stator set	65	152701	Cover
27	153013	Armature set 110V	66	153343	Switch
28	152160	Fan	67	151671	Cord clamp
29	151648	Protective washer	68	361360	Screw K 4X9.5 TORX 20
30	330308	Bearing 60822P63LDS18	69	120724	Cord protector
31	151650	Brush holder cover	70	166494	Cord with a plug
32	361402	Screw K4X13 TORX 20	71	127212	Pipe
33	19002001	Brush holder set	72	150014	Special spanner 200
34	153015	Brush with a switch	73	370116	Spanner hexagonal 6A
35	153014	Brush	74	127220	Collar
36	164934	Rubber bush	75	127217	Spacer washer
37	361360	Screw K 4X9.5 TORX 20	76	127218	Spacer washer
38	330125	Bearing HK 1212	77	127219	Locking nut
39	151657	Gear box set	80	361370	Screw K5X25(D10) TORX 20

till 30.Nov.2013 -



169361

169362